

ORECK[®] XL[®]

SIMPLY AMAZING[®]

Service Parts List



**Oreck
Professional
Tower
Air Purifier**

AIRTB

REV I. Please disregard all previous versions.

Part Diagram

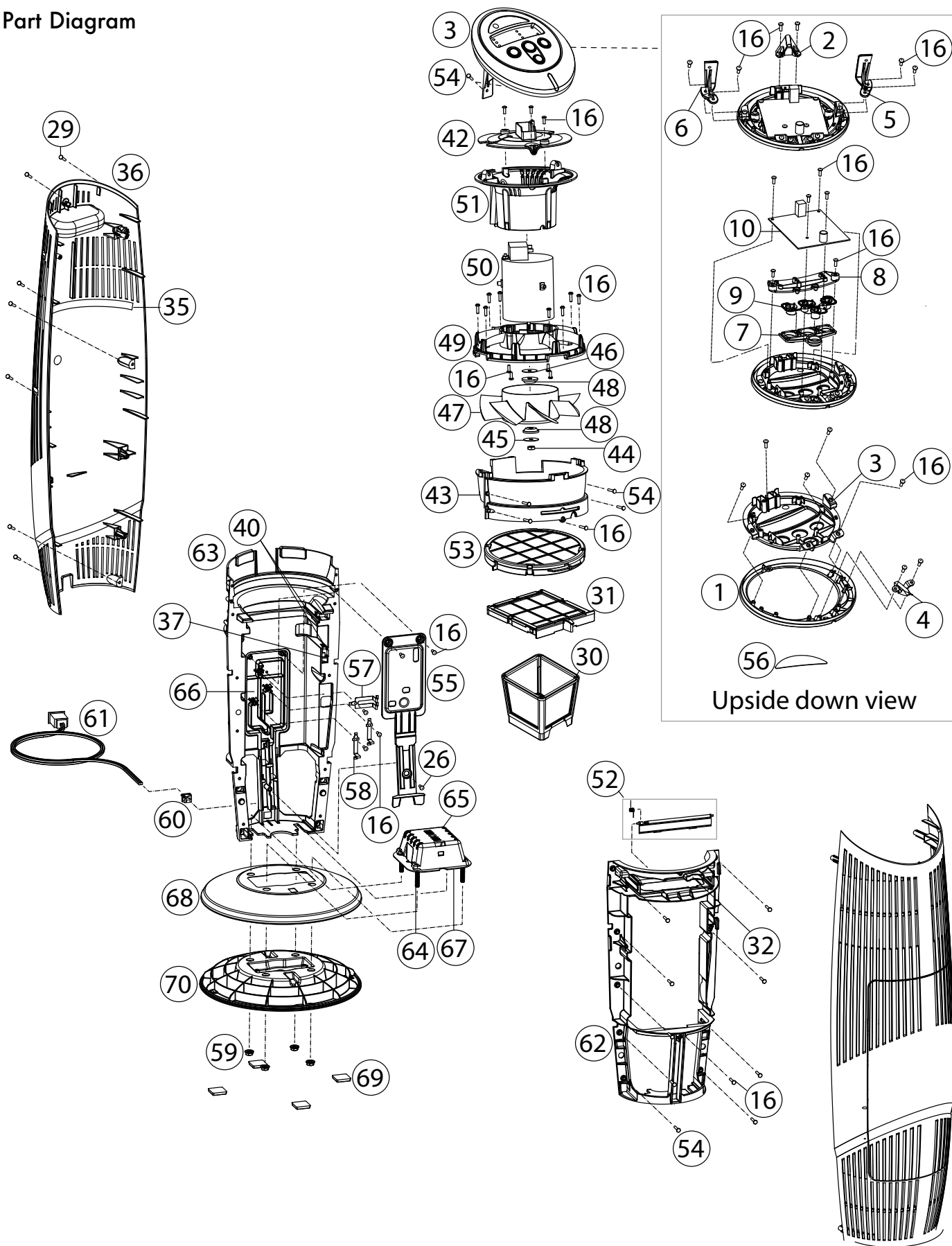


Diagram is for representation purposes only.

Part Diagram

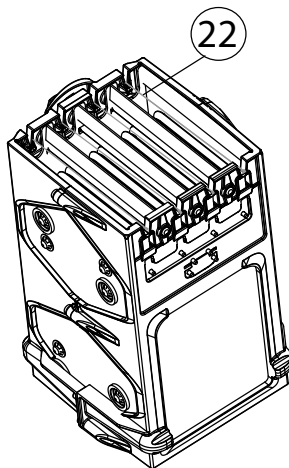
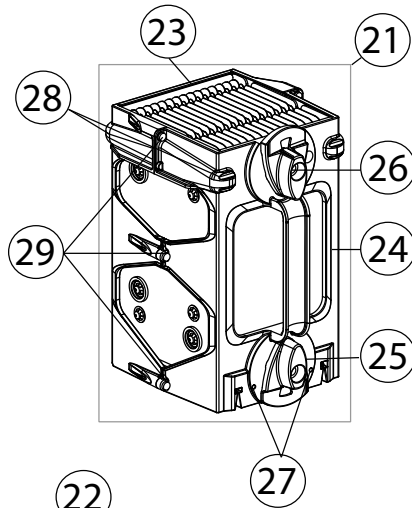
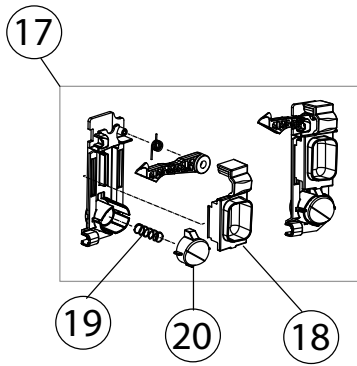
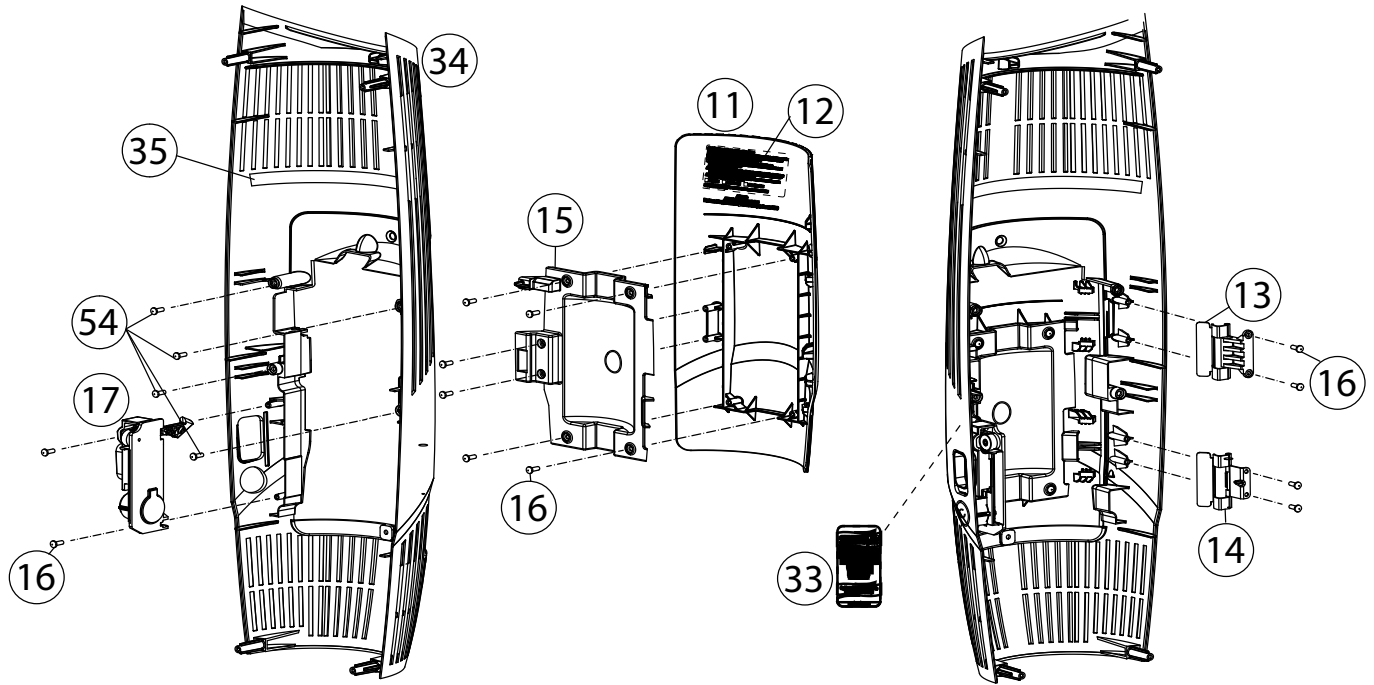


Diagram is for representation purposes only.

Part Number Listing: AIRTB

#	Item	Order #	Qty.	Pk.
1	Top Cover, Black	20005-01-0327	1	1
2	Top Cover Adapter	20206-01-0000	1	1
3	Control Panel w/ Badge Assembly	09-20214-01	1	1
4	Night Light Pipe	20043-01-0329	1	1
5	Left Control Plate Tab	20121-01-0000	1	1
6	Right Control Plate Tab	20133-01-0000	1	1
7	Control Panel Button Bezel	20127-01-0329	1	1
8	LED Lens Assembly w/ Label	09-20215-01	1	1
9	Button Pad Assembly w/ Gray Ink	09-20229-51	1	1
10	Circuit Board	09-20039-01	1	1
11	Door Assembly w/ Label <i>includes #12</i>	09-20221-01	1	1
12	Cleaning Instruction Label	20058-01	1	1
13	Upper Hinge Assembly	09-20167-01	1	1
14	Lower Hinge Assembly	09-20168-01	1	1
15	Door Brace Assembly w/ Label	09-20222-01	1	1
16	Screw, #6 x 3/8 Px Slit Phillips	03-00447-01M	53	100
17	Latch Assembly	09-20045-01	1	1
18	Latch Button, Gray	20049-01-0384	1	1
19	Bottom Spring	20147-01	1	1
20	Latch Lock, Black	20146-01-0327	1	1
21	Collector Cell Assembly	09-20080-01	1	1
22	Tungsten Wire Assembly w/ Wire Stop	09-20082-01	4	4
23	Cell Back Housing Assembly w/ Plates	09-20224-51	1	1
24	Cell Front Housing Assembly w/ White Ink	09-20228-51	1	1
25	Cell Locking Knob, Yellow	20196-01-463	2	1
26	Screw, #8 x .5 w/ Integral Washer	03-00471-01M	3	100
27	Screw, #6-32 x .38	03-00653-01M	6	100
28	Screw, #6-3/8 Phillips Self Tapping SMS	03-00644-01M	2	100
29	Screw, #6-11 x 5/8 Phillips, Black	03-00647-02M	13	100
30	Pre Filter Basket	20242-01	1	1
31	Odor Absorber Plus, Green	AT1PKT	1	1
32	Scent Cartridge Holder	20204-01-0327	1	1
33	Truman Cell Label	20076-01	1	1
34	Front Housing Assembly w/ Gasket <i>includes #35</i>	09-20220-01	1	1
35	Main Housing Gasket	20186-01	2	1
36	Rear Housing Assembly w/ Gasket <i>includes #35</i>	09-20213-01	1	1
37	Safety Switch	20067-01	1	1
38	Safety Switch Jumper See <i>Wiring Diagram</i>	20054-01	1	1
39	Indicator Switch Harness See <i>Wiring Diagram</i>	20055-01	1	1

Part Number Listing: AIRTB continued

#	Item	Order #	Qty.	Pk.
40	Indicator Switch See <i>Wiring Diagram</i>	20108-01	2	1
41	Ionizer Module w / Brush See <i>Wiring Diagram</i>	20096-01	1	1
42	Diffuser Cap, Black	20170-01-0327	1	1
43	Scroll, Black	20193-01-0327	1	1
44	Fan Nut 1/4 x 32 Left Hand w/ Nylok	03-00448-02M	1	100
45	Motor Washer, Round Shaft	20188-01	1	1
46	Motor Washer, D-Shaft	20187-01	1	1
47	Fan, Black	20195-01-0327	1	1
48	Motor Grommet	20185-01	2	1
49	Motor Ring, black	20171-01-0327	1	1
50	Motor Kit <i>includes #44</i>	09-20072-02	1	1
51	Vented Diffuser, Black	20052-01-0327	1	1
52	Filter Door Assembly w/ Spring	09-20212-01	1	1
53	Ozone Tray Assembly w/ Filter	09-20176-01	1	1
54	Screw, #6-11 x 3/4 Phillips	03-00410-01M	23	100
55	Cell Contact Cover, Black	20098-02-0327	1	1
56	Label, Badge, Oreck Captures & Destroys	20083-01	1	1
57	Double Leg Contact	20111-01	1	1
58	Single Leg Contact	20110-01	2	1
59	Nut, Base	03-00646-01M	4	100
60	Heyco Strain Relief	03-00631-01	1	1
61	Cord, 2 Conductor, 9', SPT2	20074-01-327	1	1
62	Main Frame, Front, Black	20016-02-0327	1	1
63	Main Frame, Rear, Black	20015-01-0327	1	1
64	Carriage Bolt	03-00645-01M	4	100
65	High Voltage Cover, Black	20075-01-0327	1	1
66	High Voltage Module See <i>Wiring Diagram</i>	20068-03	1	1
67	Stud Plate	20069-01	1	1
68	Metal Fascia Base	20014-01	1	1
69	Feet, Rubber Adhesive Pads	20078-01	4	1
70	Molded Base Assembly w/ Feet <i>includes #69</i>	09-20210-01	1	1
	User's Guide	20061-02	1	1
	Assail-a-Cell [®] Collector Cell Cleaner, 20 oz.	32358	1	1
	Vanilla Scent Cartridges, 8 Pk.	FA1PK	1	8
	Spring MullBerry Scent Cartridges, 8 Pk.	FA2PK	1	8
	Blooming Jasmine Scent Cartridges, 8 Pk.	FA3PK	1	8
	Carton	20062-01	1	1
	Insert, Top, EPS Foam	20063-01	1	1
	Insert, Bottom, EPS Foam	20207-01	1	1

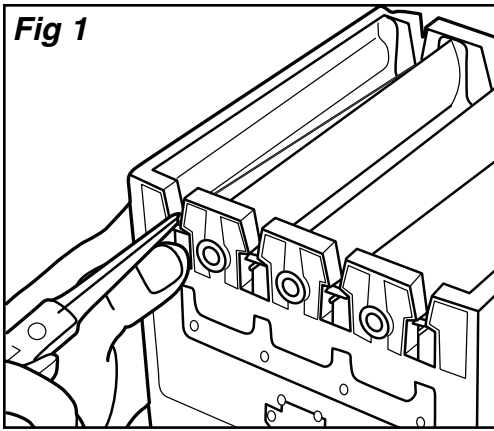
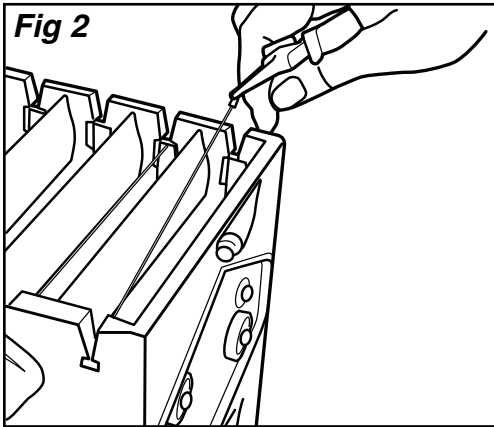


Fig 1 To remove Tungsten wires push in the wire tension plate and lift the wire straight up using needle nose pliers. Then lift the other end out of the fixed slot.

CAUTION: Do not push wire tension plate in more than 1/8".

Fig 2 To install Tungsten wires reverse the above instructions.



WIRING DIAGRAM

Motor Kit # 09-20072-02

IMPORTANT SAFETY NOTES:

- UNPLUG UNIT BEFORE SERVICING.
- REPLACEMENT OF MOTORS SHOULD ONLY BE DONE BY AN EXPERIENCED ELECTRICIAN OR AN AUTHORIZED ORECK SERVICE CENTER.
- DO NOT REMOVE FAN NUT.

